



OPERATOR MANUAL



NOTE TO INSTALLERS

Always Read Instructions Before Use

LEAVE THIS OPERATOR MANUAL ATTACHED TO THE AUTO BELAY. THE OPERATOR MANUAL CONTAINS INFORMATION RELATING TO THE SAFE USE OF THE TRUBLUE AUTO BELAY AND INCLUDES ALL PRODUCT REGISTRATION AND WARRANTY INFORMATION. THIS DOCUMENT MAY ONLY BE REMOVED BY THE END USER. ENSURE USER MANUAL IS READILY AVAILABLE TO OPERATORS AT ALL TIMES

CE 0194 EN 341:1992 + A1:1997 Class A

7001-001-05

TRUBLUE Auto Belay Operator Manual

Contents

Warranty Conditions.....	4
Customer Responsibility	5
Certification.....	6
Standards	6
Description	7
Specifications	7
Auto Belay Parts	8
SAFETY INFORMATION.....	9
Symbols Used in this Manual	9
Read Before Installation and Operation	10
Health and Safety	10
Site Rescue Plan	10
Location of Safety Labels	11
Unpacking.....	12
Precautions	12
Receipt of the Auto Belay	12
Unpacking the Auto Belay	12
Installation	14
Precautions	14
Standards	14
Mounting	16
Operation.....	20
Operator Training	20
User Instruction	20
Climbing Harness	21



Carabiner Use	21
Inspection and Maintenance	23
Annual Recertification	23
Scheduled Maintenance	24
Weekly Inspection	24
Six Month Inspection	26
Nozzle Replacement	29
Line Replacement	31
Spare Parts & Accessories	34
Trouble Shooting	34
Transportation	35
Manufacturers Details.....	36
Address:	36
Contact Details:	36





IMPORTANT SAFETY NOTICE

CLIMBING IS A DANGEROUS ACTIVITY

Failure by the operator to heed any and all instructions, warnings and cautions for the correct installation, operation, care and maintenance of the TRUBLUE Auto Belay may result in serious injury and/or death.

TruBlue Auto Belay Model TB150-12C and associated equipment is designed and specified for use in the recreational climbing industry as a controlled descent device. Use of the TruBlue Auto Belay for any purposes other than that intended by the manufacturer is not permitted.

Owners and operators of the TRUBLUE Auto Belay are responsible for the safety and supervision of any person using the TRUBLUE Auto Belay and are required to undergo training in the correct installation and operation of the Auto Belay prior to any use.

These instructions must be made readily available to the operator at all times. Prior to installation and use, all owners and operators must have read and shown to have understood all instructions, labels, markings, and safety information pertaining to the installation, operation, care, and maintenance of the TRUBLUE Auto Belay system, its component parts, and all associated hardware. Failure to do so can result in death, serious injury and equipment damage.



WARRANTY CONDITIONS

This TRUBLUE Auto Belay Device is warranted against factory defects in materials and workmanship (excluding “Specific Field Replaceable Wear Parts” – see below) for a period of two (2) years from date of purchase. This warranty applies only to the original purchaser, and is contingent upon the owner/operator maintaining and using the device in accordance with TRUBLUE Auto Belays (TRUBLUE) instructions, including the requirement to continue to maintain annual re-certification as described in the Operator’s Instruction Manual. This Warranty is in lieu of all other warranties, express or implied.

The sole remedy for breach of this warranty, or for any claim in negligence or strict liability in tort, is the repair or replacement of any defective parts by TRUBLUE. Upon notice in writing, TRUBLUE will promptly repair or replace all defective items. TRUBLUE reserves the right to have any defective equipment returned to its plant, transportation pre-paid, for inspection before making a repair or replacement.

This Warranty is null and void if parts other than genuine parts are used, or if any modifications or services have been performed on the device by anyone other than an authorized TRUBLUE servicing agent. This warranty does not cover any damages resulting from abuse to the device, damage in transit, or any other damage beyond the control of TRUBLUE. TRUBLUE makes no warranties in respect to trade accessories or component parts which are not made by TRUBLUE. TRUBLUE expressly excludes from this Warranty the replacement of “Specific Field Replaceable Wear Parts”, which include the nozzle, the webbing (line) kit, carabiner and/or any anchors supplied with the product.

No person, agent or Distributor is authorized to give any warranty, other than the one herein expressed, on behalf of TRUBLUE, or to assume for it any liability pertaining to such products. TRUBLUE expressly disclaims any implied guarantee of merchantability, or claim as to whether the device is suited for a particular purpose. Purchaser agrees that TRUBLUE shall not be held liable to Purchaser/Operator for damages of any kind, including but not limited to, lost or projected profits, equipment down time, or any losses considered to be caused by non-operation or servicing/re-certification down time of the equipment.



Customer Responsibility

The following items are considered to be the responsibility of the Customer and are therefore non-reimbursable under the terms of the warranty.

- Routine maintenance and inspection.
- Normal replacement of service items.
- Replacements required because of abuse, misuse or improper operational habits of the operator.
- Wearing parts such as nozzle, webbing line and carabiner.
- Normal deterioration due to use and exposure.

This warranty is subject to the following of the requirements of the Operator Manual supplied, Manufacturer's instructions, and the advice given by TRUBLUE service technicians.



CERTIFICATION

Standards



CAUTION

If the Auto Belay is resold outside of the country of destination, the reseller must provide instructions for use, service, maintenance and repair in the language of the country of use.

The TRUBLUE Model TB150-12C can be used as a climbing system device only in combination with other components. It shall not be deemed suitable for use until it is ensured that the entire system complies with the requirements of appropriate regional, state, and federal directives/standards.

TRUBLUE Auto Belay complies with the following prevailing Safety regulations

- AS/NZS 1891: Industrial fall-arrest systems and devices – Part 3: Fall arrest devices
- CSA Z259.2.3-99: Descent Control Devices
- EN 341: 1992 + A1:1997 Class A: Personal protection equipment against falls from a height – Descender devices
- ANSI/ASSE Z359.4: Safety Requirements for Assisted-Rescue and Self-Rescue Systems, Subsystems and Components.

Notified body for CE type examination

INSPEC International Ltd
56 Leslie Hough Way
Salford
Greater Manchester, M6 6AJ
United Kingdom
Identification No. 0194

Body controlling the manufacture:

INSPEC International Ltd
56 Leslie Hough Way
Salford
Greater Manchester, M6 6AJ
United Kingdom
Identification No. 0194



DESCRIPTION

The TRUBLUE Auto Belay is a controlled descent device designed specifically for use in the climbing industry. The TRUBLUE offers a maximum descent height of 12.5 m (41 ft) and is suitable for climber weights ranging from 10 - 150 kg (22 - 330 lbs).

The design of the TRUBLUE permits simple installation and removal and incorporates an advanced self-regulating brake system and automatic line retraction. The patented braking mechanism offers climbers a smooth descent with a minimal variation in descent rate of both children and adults. There are no wearing parts in the brake mechanism, ensuring reliability remains high while maintenance and operating costs are kept to a minimum.

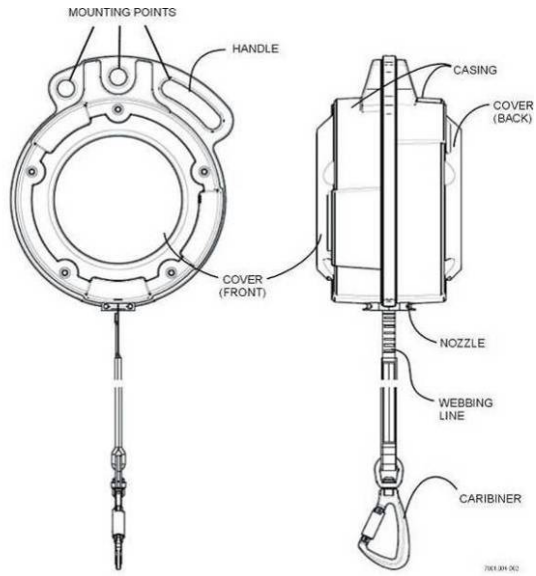
To protect the longevity of the TRUBLUE, installation, care and use of the TRUBLUE Auto Belay must be carried out in accordance with the instructions in this manual.

Specifications

Model:	TB150-12C	
Classification:	Class A Descent Control Device	
Dimensions:	80 x 320 x 216 mm (15 x 12.6 x 8.5 in)	
Net Weight:	19.75 kg (44 lbs)	
Materials:	Casing	Aluminium Alloy
	Internal parts	Zinc plated steel
	Nozzle	Modified Acetal plastic
	Nozzle Insert	304 Stainless Steel
	Line	20 mm Nylon Spectra webbing
Max. Line Extension:	12.5 m* (41 ft)	
	* Other line lengths are available from the manufacturer	
Min. Climber Weight:	10 kg (22 lbs)	
Max. Climber Weight:	150 kg (330 lbs)	
Max. Descent Speed:	2.0 m/s (6.5 ft/s)	



Auto Belay Parts



Certification Labels

TB150-12C	SN0000000
Model number	Year of manufacture
	Unit serial number
CE0194	EN 341:1992 + A1:1997 Class A
Notified body for CE type examination	EN standard and device classification



SAFETY INFORMATION

Symbols Used in this Manual

The following safety symbols are used throughout this manual to highlight potential dangers. One or more precautions may be associated with practices and procedures described within this manual. Failure to adhere to any precautions highlighted can result in death, serious injury and equipment damage.

Ensure that you read and understand all safety related procedures related to the working environment and the task you are undertaking.



DANGER

Indicates a hazardous situation exists that, if not avoided, **will** result in death or serious injury.



WARNING

Indicates a potentially hazardous situation that, if not avoided, **could** result in death or serious injury.



CAUTION

Indicates a potentially hazardous situation that, if not avoided, **may** result in injury or equipment damage.



NOTE

Indicates an action that must be taken to ensure personal safety and prevent damage to property or equipment.



CARE FOR THE ENVIRONMENT

Take care to minimize impact on the environment when carrying out this procedure.



Read Before Installation and Operation



WARNING

Failure by the operator to heed all instructions, warnings and cautions for installation and use of the TRUBLUE Auto Belay can result in serious injury and/or death.

Owners and operators of the TRUBLUE Auto Belay are responsible for the safety and supervision of any person using this equipment. Owners and Operators are required by the Manufacturer to read, understand, and follow all instructions in this Operators Manual regarding the correct installation and operation of the Auto Belay prior to any use.

These instructions must be made readily available to the operators and users at all times. Prior to installation and use all owners and operators must have read and shown to have understood all instructions, labels, markings, and safety information pertaining to the installation, operation, care, and maintenance of the TRUBLUE Auto Belay system, its component parts and all associated hardware.

Health and Safety

Owners and operators must abide by all Standards, International, Federal, State and Provincial laws, and any specific health and safety regulations pertaining to the installation and use of this product.

Site Rescue Plan

Owners and operators must have devised an emergency rescue plan for any climber in distress at all sites operating TRUBLUE Auto Belay devices. Operators must inform Users of the Auto Belay of the procedure for rescuing a climber in distress prior to climbing.



Location of Safety Labels

INFORMATION LABEL

CAUTION

Obeying a Caution Advisory

Obeying a Caution Advisory is the responsibility of the TRUBLUE Auto Belay. Users are responsible for the proper installation, use, and maintenance of the TRUBLUE Auto Belay. The manufacturer is not responsible for any damage or injury resulting from the use of this device. The manufacturer is not responsible for any damage or injury resulting from the use of this device.

INSTALLATION

A person should read the complete instructions of understanding a TRUBLUE Auto Belay. The device must be installed in such a way as to prevent accidental engagement or disengagement.

RETRIEVAL

A person should read the complete instructions of understanding a TRUBLUE Auto Belay. The device must be installed in such a way as to prevent accidental engagement or disengagement.

CAUTION

The user must read and understand all instructions for the proper use of this device. The user must read and understand all instructions for the proper use of this device. The user must read and understand all instructions for the proper use of this device.

COVER LABEL (Both Sides)

SERIAL NUMBER

TR150-12C SNO000000

SPECIFICATION LABEL

MODEL: TR150-12C

RATED WORKING CAPACITY:
15 to 150 kg (33 to 330 lbs)

DEVICE HEIGHT:
19.75 m (64.78 ft)

MAXIMUM DESCENT HEIGHT:
12.5 m (41.16 ft)

MAXIMUM DESCENT LOAD:
150 kg (330 lbs)

MAXIMUM DESCENT RATE:
2.0 m/s (6.56 ft/s)

LIFELINE SPECIFICATIONS:
Type: Self-retracting
Wires: 25.3 mm (1.0 in)
Thickness: 2.3 mm (0.09 in)
Breaking load (min): 15 kN (3367 lbs)

TRUBLUE AUTO BELAY®
1505 20th Street
Boulder, Colorado 80501, USA
www.autobelay.com

CE0194
EN 341:1992 + A1:1997 Class A

CERTIFICATION LABEL

TRUBLUE AUTO BELAY

SERIAL NUMBER: _____

DATE OF MANUFACTURE: ____/____/____

RE-CERTIFICATION DATE: ____/____/____

NEXT RE-CERTIFICATION REQUIRED: ____/____/____

BY: _____

Labels: TR150-12C-18



UNPACKING

Precautions



LEAVE THIS USER MANUAL ATTACHED TO THE AUTO BELAY UNTIL INSTALLATION IS COMPLETE

The Operator Manual contains information relating to the safe use of the TRUBLUE Auto Belay and includes all product registration and warranty information. The Operator Manual document may only be removed by the end user. Ensure this manual is readily available to Auto Belay users at all times.



DO NOT DISPOSE OF PACKAGING

The cardboard box and internal packaging are required for the return of the Auto Belay for the annual Certification inspection. Please keep packaging in a safe place until required.

Receipt of the Auto Belay

The TRUBLUE Auto Belay is packaged in a recycled cardboard box and contains:

- 1 x TRUBLUE Auto Belay Model TB150-12C
- 1 x 12.5 m (41 ft) Nylon Webbing Lower Line
- 1 x Carabiner
- 1 x Operator Manual

The Auto Belay is shipped with the line and carabiner attached and does not require any further assembly.

Unpacking the Auto Belay

To unpack the Auto Belay:

1. Upon receipt of Auto Belay, inspect for signs of shipping damage or contamination. If Auto Belay shows any signs of damage or mishandling contact your TRUBLUE distributor.
2. Check all labels affixed to Auto Belay are present and legible.





Do not use the Auto Belay after date shown here

3. Check the Certification Label for the 'Next Recertification Required' date. If the date shown has passed or the label is missing or illegible the Auto Belay must not be put into service.
4. Fill out Product Registration Card included with Auto Belay and return it to your TRUBLUE distributor or register online at www.autobelay.com/registration



PRODUCT REGISTRATION MUST BE COMPLETED

The Product Registration must be completed, either by filling out and returning the Product Registration Card or by registering online. This is critical for receiving product notifications and up-to-date information for the safe use of the TRUBLUE Auto Belay.

5. Read the Operator Manual and familiarize yourself with all aspects of installation, operation, care and maintenance.

Storage

If the Auto Belay is to be left unused for longer than two weeks, ensure the unit is clean and dry and line is fully retracted into the unit.

When returning the Auto Belay to duty after an extended period of inactivity always carry out a full inspection and operational check.



DO NOT STORE IN A WET CONDITION

After exposure to water or damp conditions thoroughly clean and dry the Auto Belay. Ensure Auto Belay is not left with wet webbing line retracted inside the casing.

Always store in a clean and dry environment.



INSTALLATION

Precautions



ALWAYS USE DESIGNATED MOUNTING POINTS

Never install the Auto Belay using any part of the device apart from the designated mounting points. Incorrect mounting can result in serious injury or death.



HARD IMPACTS MAY RESULT IN STRUCTURAL DAMAGE

Dropping of, or hard impacts to, the Auto Belay can result in serious damage to mounting points and internal parts and may compromise safety of operation – If Auto Belay is subject to a hard impact, remove it from duty and return to the service agent for inspection.



HEAVY ITEM - 20 KG

Take care when lifting the Auto Belay. Take care not to drop the device as this may result in serious injury or equipment damage.



ALWAYS MOUNT VERTICALLY

Always mount the Auto Belay vertically with the nozzle pointing downwards and the line exiting the bottom of the device. Failure to do so will result in incorrect operation and compromise User safety.

Standards

Prior to installation, all Operators must be familiar with the requirements of all relevant Standards for anchor points, hardware and equipment used with the Auto Belay.

Anchor Points

All anchor points and connectors used with the TRUBLUE Auto Belay must conform to any federal, state requirements for such devices



Minimum requirements for anchor points must conform to the requirements of:

- EN 12572 - Climbing wall anchor points.
- EN 795 - Anchor Devices.

The location and anchor points for the TRUBLUE Auto Belay should comply with the following:

- Minimum load capacity of the anchor point(s) 20 kN (4400 lbs) in expected directions of application.
- Anchor points are not to be used by other devices or as attachments for hardware not associated with the Auto Belay installation.
- Anchor points should be of a suitable size to correctly install any mounting hardware.

Harness

All harnesses used in conjunction with the TRUBLUE Auto Belay must comply with following standards:

- EN 361 - Personal protective equipment for prevention of falls from a height – Full body harness
- EN 813 - Personal protective equipment for prevention of falls from a height – Sit harness.
- EN 12277 - Type A. Full Body Harness
- EN 12277 - Type B. Small Full Body Harness
- EN 12277 - Type C Sit Harness

Harnesses must be of the correct size and fitment and be in serviceable condition.

Secondary Connectors

All secondary connectors and hardware used in the installation of the TRUBLUE Auto Belay must conform to the requirements of:

- EN 362 - Types of connectors for personal protection.
- EN 12275 - Types of connectors for mountaineering.

All connectors, hooks, D-rings and shackles used to mount the TRUBLUE Auto Belay must meet a minimum breaking load of 20kN (4400 lbs) and be of compatible size, shape and strength for the mounting point to which they are attached.



Selecting a Location

The TRUBLUE Auto Belay is to be mounted at the top of the climbing route with the nozzle and webbing line pointed down.

When selecting a location to mount the Auto Belay always check:

- All anchor points have a minimum load capacity of 20kN (4400 lbs) and conform to all federal and state requirements for such devices.
- The Auto Belay will hang vertically over the climbing route with the nozzle pointing down.
- All paths that can be used by the climber when connected to the Auto Belay are free of sharp edges and high friction surfaces that may damage the webbing line.
- Ensure that the descent path and landing area are free of other climbers, pedestrians or obstacles that may cause entanglement or restrict the climber's ascent or descent.

Outdoor Installations

The TRUBLUE Auto Belay may be installed outdoors.

It is recommended that in wet or aggressive environments the Auto Belay is protected from the direct ingress of water or foreign objects.



Note - Prolonged exposure to the elements will increase the risk of internal corrosion and degradation of the webbing line resulting in increased operation and servicing costs.

Mounting

With a suitable location for the Auto Belay selected it can be mounted only using the methods and hardware described in this manual. When mounting the Auto Belay be aware of the following precautions:

- Anchor point must be capable of withstanding a minimum load of 20 kN (4400 lbs) in expected direction of load application.



- All connectors, hooks, D-rings and shackles used to mount the TRUBLUE Auto Belay must meet a minimum breaking load of 20 kN (4400 lbs) and comply with the relevant standards.
- All secondary connectors must be of compatible size, shape and strength to the mounting point to which they are attached.
- The Auto Belay is free to pivot in all directions and should not bind the mountings or be able to impact upon the surrounding structure.

Mounting Points



USE ONLY THE DESIGNATED MOUNTING POINTS

Use only the correct mounting points designated for single or double point mounting. Use of incorrect points can result in equipment damage.

Ensure all mounting hardware is secure but free to pivot in mounting point.

The TRUBLUE Auto Belay is manufactured with a single central pivot mounting point, an offset mounting point and formed handle located at the top of the casing. These mounting points are located on the central plate and are located to ensure the unit hangs centrally and vertically with the line nozzle pointing down.

It is recommended that a minimum distance of 100 mm (4 in) is maintained between the Auto Belay and any adjacent wall to minimize wear or damage to the Auto Belay's Side Covers.

The Side Covers are a sacrificial protective cover designed to prevent damage to both the device and any adjacent surface. Should the covers become excessively worn, damaged, or aesthetically unpleasing, they may be replaced by the user. Details of replacement parts may be found in the Spare Parts & Accessories section of this manual.

Single Point Mounting

Single point mounting is the preferred method of mounting your auto belay to maximize webbing life. For single point mounting, the Auto Belay is installed using the central mounting point, as shown, with a longer non-loaded secondary mount utilizing the offset mount or handle mounting points.



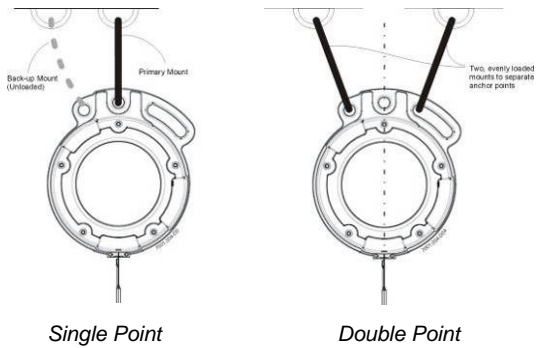
For Single Point mounting use only the central mounting point as shown. Ensure mounting hardware is secure and the unit is free to pivot in all directions.

Double Point Mounting

For Double Point mounting use only the Offset mounting point and Handle as shown. Ensure mounting hardware is secure but free to pivot in the mounting point.

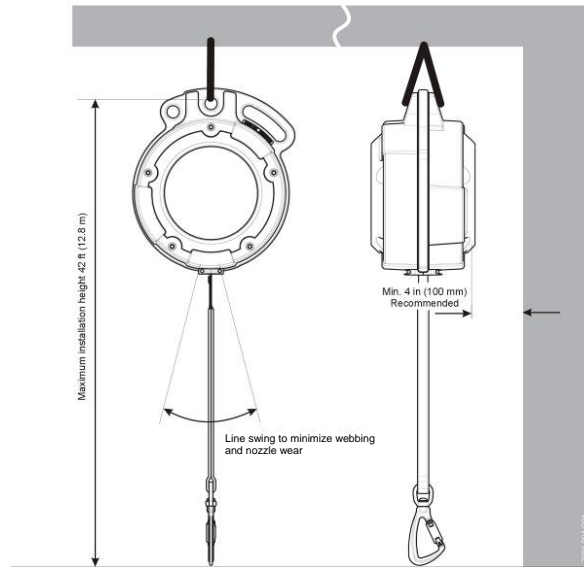


Note - When Double Point mounting as shown, ensure that the attachments are equalized so that the load is shared equally between the anchor points and the Auto Belay hangs vertically and is symmetrical about its centre.



Orientation

Always mount the Auto Belay with the round covers parallel to the face of the climbing wall. Mounting in this direction will allow the Auto Belay to swing laterally and minimize the wear on the webbing line, nozzle assembly and mounting points.



Mounting Dimensions



OPERATION

Owners and purchasers of the TRUBLUE Auto Belay are responsible for the safety and supervision of any person using this equipment and are required by the manufacturer to read, understand and follow all instructions in this Operator Manual regarding the correct installation and operation of the Auto Belay prior to any use.



UNSAFE OPERATION

Remove Auto Belay from service immediately if there is any concern over its correct operation or user safety.

Do not return Auto Belay to service until it has been inspected and completed a recertification inspection and test by an approved TruBlue Service Agent

Operator Training

All personnel involved in the operation of the Auto Belay must be trained and deemed competent in the following aspects of TRUBLUE Auto Belay operation;

- Transportation and storage.
- Installation, use of attachment points and attachment methods and hardware.
- Inspection, cleaning, and scheduled servicing of the Auto Belay, its component parts and associated attachment hardware.

User Instruction



NEVER CLIMB WITHOUT BEING CORRECTLY ATTACHED

Ensure the carabiner is attached to belay loop of the harness and the latch is fully closed and the gate engaged before starting to climb.

Failure to do so can result in serious injury or death.

Climbing is considered a strenuous activity. If you have any physical or medical conditions that may affect your climbing ability consult a medical professional prior to participation.



Prior to clipping in, all climbers must be instructed in the safe use of the Auto Belay. Operators are to ensure all climbers are familiar with the site rescue plan in the event the climber becomes distressed.

Prior to climbing the user must be aware of, and completely understand, the following precautions:

- Check Auto Belay operation by pulling out a short section and allowing it to retract.
- If the Auto Belay line fails to retract during climbing stop climbing immediately and request assistance.
- Check the climbing harness is correctly fitted and tightened.
- Check the carabiner from the Auto Belay line is connected to the designated loop on the climbing harness and the gate is properly closed.
- Ensure the carabiner latch gate is facing away from the climber.
- Never climb alongside or above the Auto Belay.
- Never start descent from above the Auto Belay.
- Prior to descent, ensure descent path and landing area are free of people and obstructions.
- Always descend feet first using feet to fend off obstacles and prepare for landing.

Climbing Harness



USE AN APPROVED HARNESS

Always use a climbing harnesses complying with the standards specified in this manual.

Ensure the harness is appropriate for use, in a serviceable condition and correctly fitted. Always follow the harness manufacturer's instructions for fitment, care and use.

Carabiner Use

A self-closing, self locking carabiner is supplied as an integral part of the descent line. The carabiner must be checked and be in serviceable condition before any use. Ensure the carabiner is only loaded along its vertical direction.



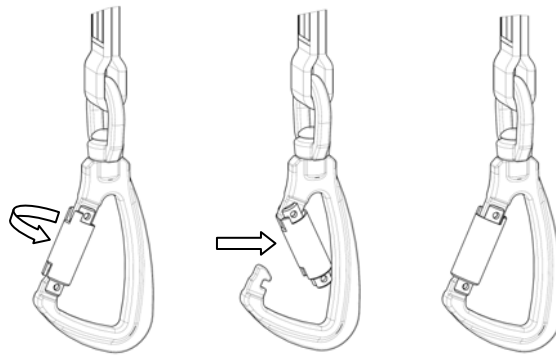


Note - If the carabiner is damaged or unserviceable, the complete descent line must be replaced. Use only genuine TRUBLUE replacement parts.

Operation

The carabiner is opened by sliding the gate down, rotating the gate's collar and pushing the gate open towards the center of the carabiner.

- Attach the carabiner to the correct loop on the harness with the latch facing away from the user.
- Allow the latch to snap shut, ensuring the collar has rotating back and is locked. Ensure that no clothing, webbing or other objects are obstructing the gate or latch.
- Double check that the latch is secure.



Step 1 - Twist

Step 2 - Depress

Step 3 - Release

Carabiner Operation



INSPECTION AND MAINTENANCE

Annual Recertification



DO NOT OPERATE AFTER THE DATE SHOWN ON THE CERTIFICATION LABEL

Operation of the TRUBLUE Auto Belay without a current Certification Label visible will render the unit not fit for use and void all warranty.

The TRUBLUE Auto Belay requires an annual service and recertification inspection to be carried out by an authorized TRUBLUE service agent.

The Certification expiration date is shown on the Certification Label located on the side of the front casing. Dismount the Auto Belay and return to the Manufacturer at the address shown at the back of this Manual or to an Authorized Service Center prior to the expiration date.

TRUBLUE
AUTO BELAY

SERIAL NUMBER:

DATE OF MANUFACTURE: / /

RECERTIFICATION DATE: / /

NEXT RECERTIFICATION REQUIRED: **dd / mm / yy**

BY:

LABEL # 0091-007-02

Do not use the Auto Belay after date shown here



Scheduled Maintenance

The following inspection and service actions must be carried out by the operator or operator-trained staff. All personnel performing these actions must be trained in the correct procedures and deemed competent to do so.



NO UNAUTHORIZED SERVICING

Do not attempt to carry out any maintenance, repair or service actions not detailed in the User Manual.

Any unauthorized maintenance, repair or modifications to the Auto Belay will compromise safety, render the unit not fit for use, and void the warranty provisions.



Note - Service in a clean environment. If Auto Belay has been removed from its operational location for service, ensure that the service area is clean and free from contaminants.

Ensure unit is securely placed on a sturdy work table and plastic side covers are not subject to damage.

Weekly Inspection

Safety Precautions



HEAVY OBJECT – 20 KG (44.1 LBS)

Ensure the Auto Belay device is secured during service to prevent accidental damage or injury from dropping.



CAUTION – SPRING LOADED PARTS

The webbing assembly is spring loaded and will rapidly return into the device if released. This may result in damage or injury.



MAGNETIC PARTS

The Auto Belay contains strong magnets. Always ensure working environment is free of loose ferrous materials. Ingress of metal objects may compromise belay operation.

The TRUBLUE Auto Belay must be inspected weekly for correct operation and overall condition. The weekly inspection may be carried with the unit in place or removed to a sturdy work table.



Inspection Procedure

Ensure adequate lighting and unrestricted access is available to permit a thorough inspection of all areas of the Auto Belay. This inspection should be completed either with the Auto Belay dismounted or by climbing to the location of the Auto Belay and anchoring in, so you may visually inspect the unit and the entire length of webbing.

1. Clean any dust, dirt or contamination off the casing and fittings with a clean cloth.



DO NOT USE SOLVENTS OR ABRASIVES

Clean with a cloth only. Do not use any cleaners, solvents or abrasives on any part of the Auto Belay or its associated equipment.

-
2. Visually inspect the casing, mounting holes and plastic covers for wear, impact damage, cracking, deformation and corrosion. Replace any damaged items or remove Auto Belay from service.
 3. Check all safety labels are in place and in good condition.
 4. Check date on Certification Label is current.
 5. Inspect the condition of the carabiner, checking for:
 - Wear and damage.
 - Correct operation of the locking mechanism.
 - Smooth operation of the carabiner swivel.If the carabiner gate does not automatically lock, lubricate until fully operational. If full functionality cannot be restored, replace the entire webbing assembly.
 6. Slowly pull out the entire length of webbing from the unit. As webbing is withdrawn inspect for:
 - Damage, cuts or abrasion to stitching.
 - Cutting, wear and abrasion to the surface of webbing
 - Discoloration, fading or chalking of the surface
 - Heat and friction damage such as hard or shiny areas
 - Contamination from dirt or chemicals
 - Twisting or knotting

Replace webbing if any signs of wear or damage are present.



7. Allow the webbing to slowly retract into the casing – checking the retraction action is strong and smooth.
8. Complete and file 'Weekly Inspection' documentation.¹
9. Return Auto Belay device to service.

Six Month Inspection

The TRUBLUE Auto Belay requires an in depth six (6) month inspection by the Operator to maintain its safe and efficient operation. For the six monthly inspections the unit must be dismantled and removed to a sturdy work table.

Safety Precautions



HEAVY OBJECT – 20 KG (44.1 LBS)

Ensure the Auto Belay is secured during service to prevent accidental damage or injury from dropping.



SPRING LOADED PARTS

The webbing assembly is spring loaded and will rapidly return into the device if released. This may result in damage or injury.



MAGNETIC PARTS

The Auto Belay contains strong magnets. Always ensure working environment is free of loose ferrous materials. Ingress of metal objects may compromise belay operation.

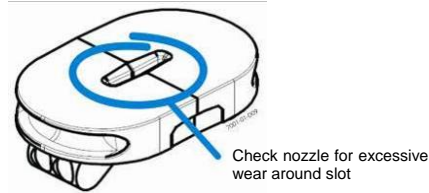
Inspection Procedure

1. Dismount the Auto Belay (refer to Installation Instructions)
2. Clean auto belay using a clean cloth.
3. Carry out Steps 1 through 6 of the 'Weekly Service'.
4. Remove the Nozzle – Refer 'Nozzle removal'.
5. Inspect Nozzle Assembly for the following:

¹ 'Weekly Inspection' document templates are available for download at www.autobelay.com/resources



- Excessive wear to slot.
- Splitting, cracking and deformation
- Correct fitment in housing.



Nozzle Wear

Webbing Inspection

1. With Nozzle assembly removed, pull out the complete webbing line, including approx. 100 mm (4 in) of the drum lead.
2. Place a suitable pin through the loop in the drum lead, above the joining link to prevent it retracting back into the unit.
3. Inspect both the upper (drum) webbing and the webbing line by passing the webbing slowly through your hands under a good light. Inspect the webbing for:
 - Damage to stitching (cuts or abrasion).
 - Cuts to webbing, especially to edges.
 - Abrasion across the surface of the webbing, wear and fraying, especially to the edges and the webbing loops.
 - UV degradation – although difficult to detect, visual indications are discoloration, fading and chalking of the webbing surface.
 - Chemical attack, this can result in soft or weak fibres, color change or flaking of the surface.
 - Heat or friction damage, indicated by hard fibres or glazing of the surface.
 - Contamination from dirt, grit, sand or rust.
 - Twisting, knotting or permanent deformation of webbing

Replace the webbing if any signs of damage or deterioration are present

4. Inspect the webbing joining shackle. Ensuring that:

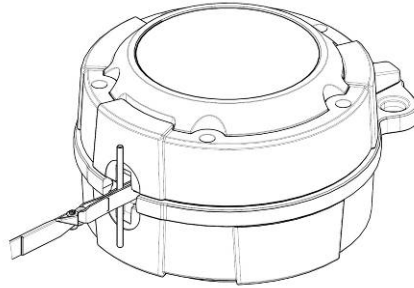


- The shackle pin is secure and straight – do not attempt to tighten.



NOTE - The shackle pin is secured with thread locking compound and any attempt to turn will compromise its security.

- The shackle is undamaged and in the correct orientation.
- The webbing around the link is not worn or damaged.



Webbing Retaining Pin

5. Remove the pin and allow the upper line to slowly retract into the casing. Inspecting the webbing as it retracts and ensuring that the webbing line does not twist.
6. Refit the nozzle assembly.



Nozzle Replacement

If the nozzle assembly shows signs of excessive wear, damage or poor fitment it must be replaced.



USE ONLY GENUINE TRUBLUE REPLACEMENT PARTS

ALWAYS REPLACE NOZZLE AS A PAIR

If nozzle requires replacement always replace as a matched pair – Do not mix worn and new nozzle pieces.

To remove the nozzle assembly:

1. Place the Auto Belay unit FRONT side down taking care not to damage the plastic side covers - Ensure it is secure and cannot fall.
2. Pull out the Nozzle Pin.
3. Holding on to the lower line to stop it retracting, lift out the two half sections of the Nozzle.
4. Fit a suitable pin in the loop of the webbing line to prevent it retracting back into the casing.



Assembled Nozzle



Step 1 - Remove pin



Step 2 - Lift out top half



Step 3 - Remove lower half

Note: Webbing line not shown



To refit the Nozzle assembly:

1. Refit the lower half of the nozzle assembly into the recess on the casing.
2. Fit the upper half of the nozzle assembly.
3. Remove webbing pin and allow the webbing to slowly rewind into the casing until fully retracted.
4. Check Auto Belay for correct operation.
5. Complete the '6 month Inspection' documentation.²
6. Return Auto Belay to service.



Step 1 – Fit top half



Step 2 – Fit Bottom half



Step 2 – Fit Pin



Assembled Nozzle

Note: Webbing line not shown

² '6 Month Inspection' document templates are available for download at www.autobelay.com



Line Replacement

If the lower webbing line shows signs of wear, damage or contamination then it will need to be replaced. Replace Line as follows:

Safety Precautions



DO NOT ALLOW LINE OR DRUM LEAD TO RETRACT INTO HOUSING

With nozzle removed take care not permit uncontrolled retraction of drum lead or webbing line into casing. Uncontrolled retraction will result in internal damage and require repair by the manufacturer.



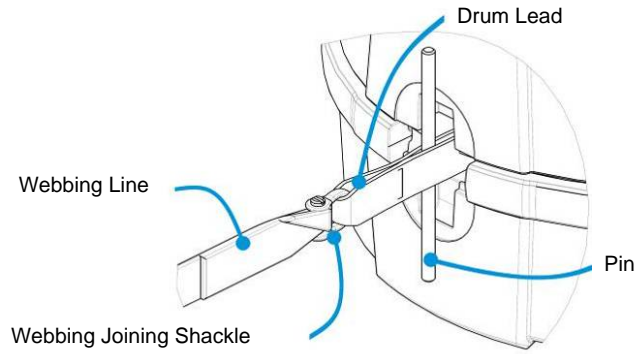
USE ONLY GENUINE TRUBLUE REPLACEMENT PARTS

Line Replacement Procedure

To replace the webbing line:

1. Remove the Auto Belay from service and place securely on the work bench.
2. Remove the Nozzle assembly – Refer 'Remove Nozzle Assembly'.
3. While holding Auto Belay securely, pull out the webbing line until and the end of the drum lead and the joining shackle are exposed.
4. Locate the loop in the drum lead, approx. 150 mm (6 in) past the link - Place a suitable pin through the loop in the drum lead to prevent it retracting back inside the casing.





Webbing joining link parts

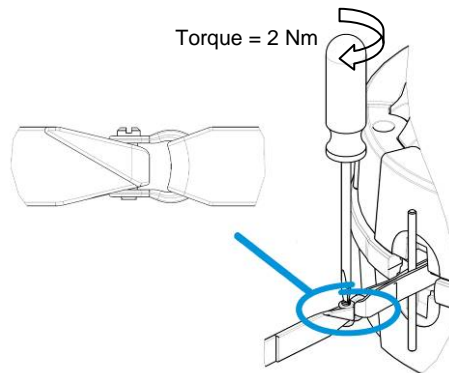
5. Unscrew the shackle pin.
6. Remove webbing line and complete shackle assembly from the drum lead.
7. Fit new shackle supplied with the line – Ensure the loop part of the shackle is fitted to the drum lead.



THREAD LOCKING COMPOUND

Ensure the factory applied thread locking compound is present on the shackle pin threads. Do not reuse the Shackle Pin.

8. Fit the new webbing line, passing the threaded shackle pin through the loop as shown.



Correct shackle fitment



9. Tighten the shackle pin to 2 Nm (18 lb-in), ensuring the threads are fully engaged and the end of the pin is flush with the joining shackle as shown
 10. Remove the holding pin and allow the new line to slowly retract until drum lead and joining link is inside casing. Ensuring that the webbing line does not twist.
-



Once shackle pin is tightened, it must not be loosened or retightened. This will break the locking compound and the shackle pin may become loose. The shackle pin must be replaced if this happens.



Ensure that the webbing line feeds squarely and without twists when retracting back into the auto belay.

Failure to do so may result in equipment failure, serious injury or death to participants.

11. Refit nozzle assembly – Refer 'Refit Nozzle Assembly'.
12. Slowly retract the webbing line into the casing, checking the action is smooth and adequate spring resistance is felt.
13. Once line is fully retracted, pull out line a short distance using reasonable force and allow it to retract. Repeat two to three times to ensure line is firmly wound onto the drum.
14. Return Auto Belay to service and check for correct operation.



Spare Parts & Accessories

Your TRUBLUE Auto Belay is fitted with a number of user replaceable parts that may be refitted without the need to return the device to an authorized TRUBLUE service agent. Always follow the manufacturer's instructions as detailed in the User Manual and any Part Replacement Guide supplied when undertaking replacement of a part.



Note – For optimal performance of your TRUBLUE Auto Belay, only use genuine TRUBLUE spare parts and accessories.

When ordering replacement parts please specify the part number and description of the part.

Part #	Description
5001-000	Webbing Replacement Kit – TB150 - 12C
5002-000	Nozzle Replacement Kit – TB150 - 12C
5003-000	Side Cover Replacement Kit – TB150 - 12C
0124-001/0101-001(x2)	TRUBLUE Replacement Box and Packaging

To order replacement parts or accessories contact your authorized TRUBLUE Auto Belay service agent, or go online to www.autobelay.com

Trouble Shooting

Refer to the online troubleshooting section at www.autobelay.com for up-to-date troubleshooting instructions or contact your authorized TRUBLUE service agent.



Transportation

To ensure safe shipment of your auto belay, it should only be shipped in an authorized TRUBLUE packaging (box and packing material). If you have misplaced your original packaging, purchase replacement packaging from an authorized TRUBLUE Auto Belay service agent, or online at www.autobelay.com. You will be responsible for the cost of any damage and necessary repairs due to shipping your auto belay in unauthorized packaging.

Repackage Auto Belay as shown:



CARE FOR THE ENVIRONMENT

Reuse the original packaging when shipping Auto Belay.



MANUFACTURERS DETAILS

Return the TRUBLUE Auto Belay to the Manufacturer at the address shown below for any Re-certification or unscheduled service or repairs.

Address:

TRUBLUE Auto Belays
1835 38th Street
Boulder CO 80301
USA

Contact Details:

Ph. 877-565-6885
Ph. 720-565-6885 (international customers)
www.autobelay.com
info@autobelay.com

